



Product: Stanton

Description:

Circular planter, without base part of the Planter range, made up of 8 individual units, making a planter. Precast concrete.

Colour: Available in standard colours

- White: WH03, WH06
- Light Grey: LG01, LG02, LG05
- Dark Grey: BL02
- Black: BL03
- Buff: YL01
- Other colours available on request

Finish:

- Concrete: Light Acid Etched
- Timber: N/A
- Other finishes available on request

Fixing: Surface Fixed

Unit should be placed on finished surface, using appropriate lifting equipment, no additional fixing required.

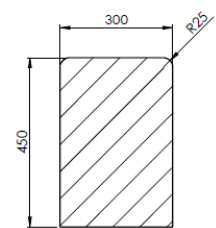
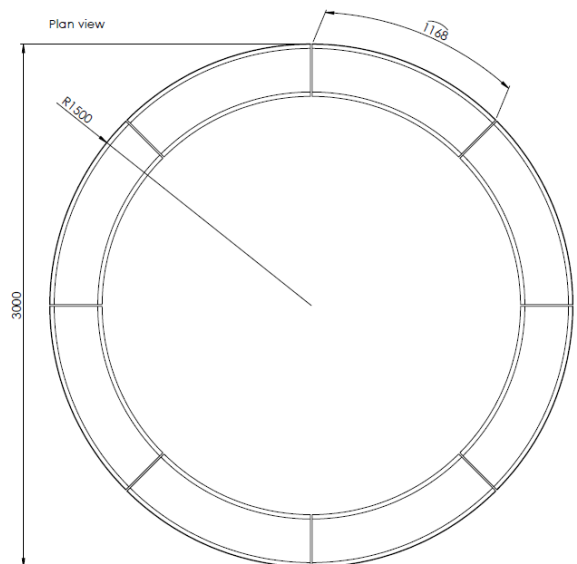
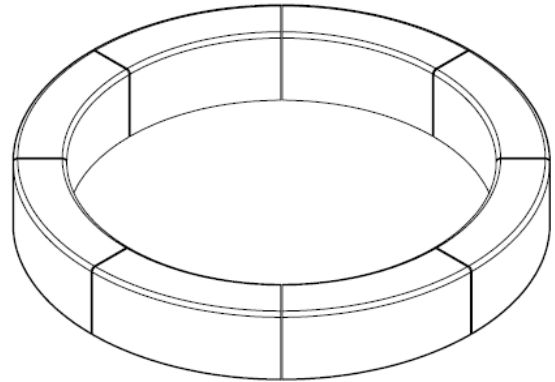
Optional fixing kit to secure the unit to foundation

Packing:

8 Pallets, Banded & protected. 1 unit per pallet.
Unit to be removed from the pallet before installation.

Standard Shipping:

Dedicated delivery or pallet service available by request



SCALE 1:8
section through

Technical Details:

- External: 3000mm
- Internal: 2400mm
- Height: 450mm
- Unit Weight: 340Kg
- Total Weight: 2720Kg