



### Product: Fourstones

#### Description:

Medium planter, without base part of the Planter range, a standalone single unit. Precast concrete. Internal lifting sockets for installation

#### Colour: Available in standard colours

White: WH03, WH06  
Light Grey: LG01, LG02, LG05  
Dark Grey: BL02  
Black: BL03  
Buff: YL01  
Other colours available on request

#### Finish:

Concrete: Light Acid Etched  
Timber: N/A  
Other finishes available on request

#### Fixing: Surface Fixed

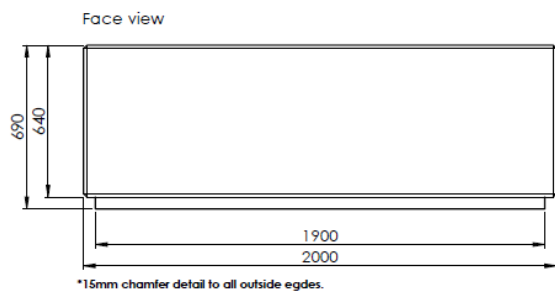
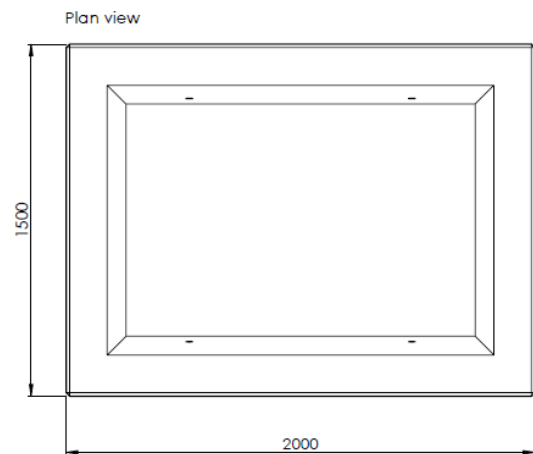
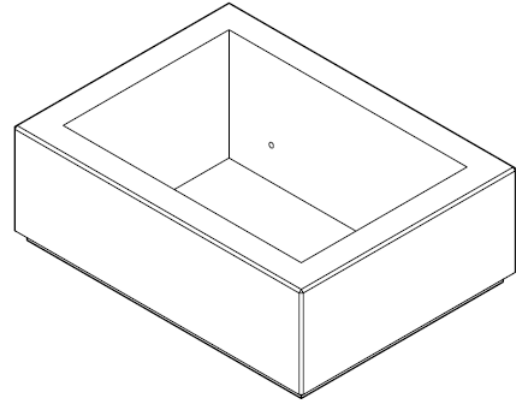
Unit should be placed on finished surface, using appropriate lifting equipment, no additional fixing required.  
Optional fixing kit to secure the unit to foundation

#### Packing:

This unit requires site equipment with a hook and chains to offload, alternatively it could be delivered on a HI-Hab. Delivered on timber packers and supplied with appropriate, certified lifting loops

#### Standard Shipping:

Dedicated delivery.



#### Technical Details:

Length: 2000mm  
Depth: 1500mm  
Height: 690mm  
Weight: 2130Kg