



### Product: Cube planter

#### Description:

Modular small planter unit for the Bamburgh range, designed to be used in an arrangement or as a standalone unit. Precast concrete.

Optional 30mm drain hole.

Internal lifting points for installation or repositioning

#### Colour: Available in standard colours

White: WH03, WH06

Light Grey: LG01, LG02, LG05

Dark Grey: BL02

Black: BL03

Buff: YL01

Other colours available on request

#### Finish:

Concrete: Light Acid Etched

Timber: N/A

Other finishes available on request

#### Fixing: Surface Fixed

Unit should be placed on finished surface, using appropriate lifting equipment, no additional fixing required.

Optional fixing kit to secure the unit to foundation

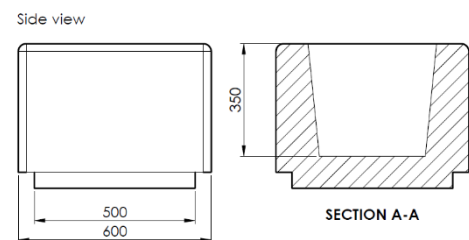
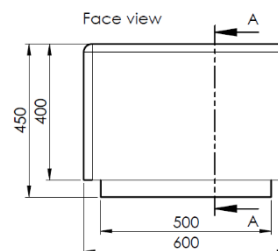
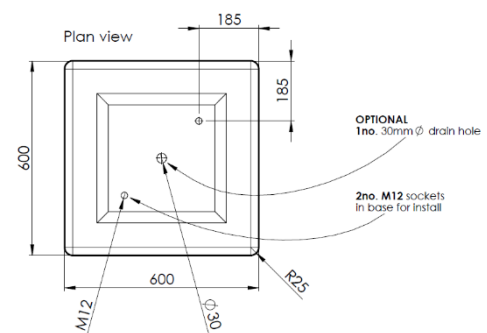
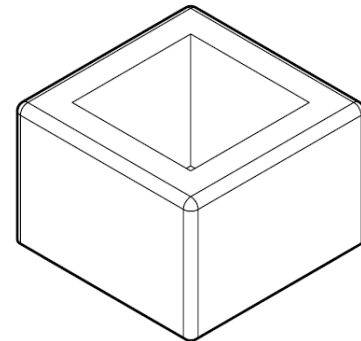
#### Packing:

Banded & protected. 1 unit per pallet.

Unit to be removed from the pallet before installation.

#### Standard Shipping:

Dedicated delivery or pallet service available by request



#### Technical Details:

Length: 600mm

Depth: 600mm

Height: 450mm

Weight: 260Kg