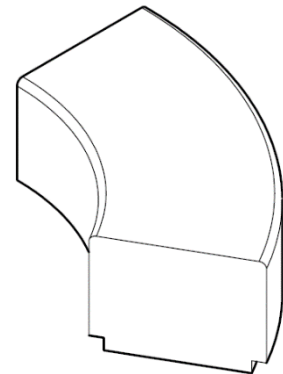




### Product: 60° Curved Joiner

#### Description:

Modular 60° Curved Joiner unit for the Bamburgh range, designed to be used in an arrangement.  
Precast concrete. Internal radius 906mm



#### Colour: Available in standard colours

White: WH03, WH06  
Light Grey: LG01, LG02, LG05  
Dark Grey: BL02  
Black: BL03  
Buff: YL01  
Other colours available on request

#### Finish:

Concrete: Light Acid Etched  
Timber: N/A  
Other finishes available on request

#### Fixing: Surface Fixed

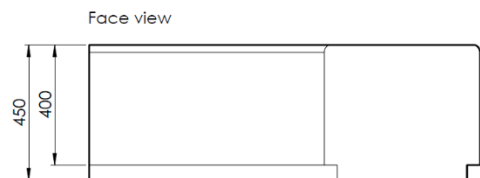
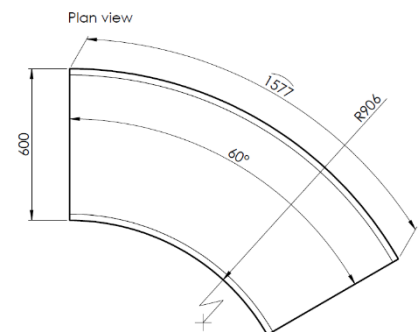
Unit should be placed on finished surface, using appropriate lifting equipment, no additional fixing required.  
Optional fixing kit to secure the unit to foundation

#### Packing:

Banded & protected. 1 unit per pallet.  
Unit to be removed from the pallet before installation.

#### Standard Shipping:

Dedicated delivery or pallet service available by request



#### Technical Details:

Length: 1577mm  
Depth: 600mm  
Height: 450mm  
Weight: 800Kg