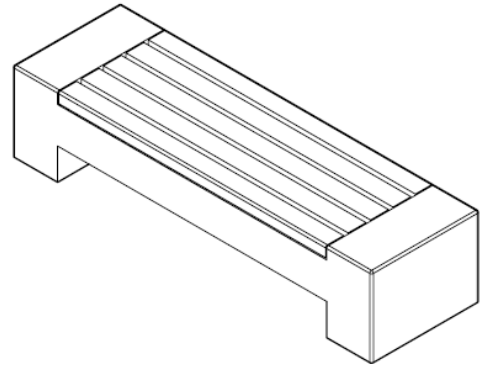




Product: Block 2000 with Timber Top

Description:

Standalone precast concrete bench with stainless steel straps securing oiled Iroko timber.



Colour: Available in standard colours

- White: WH03, WH06
- Light Grey: LG01, LG02, LG05
- Dark Grey: BL02
- Black: BL03
- Buff: YL01
- Other colours available on request

Finish:

- Concrete: Light Acid Etched
- Timber: Coated with Danish oil
- Other finishes available on request

Fixing: Surface Fixed

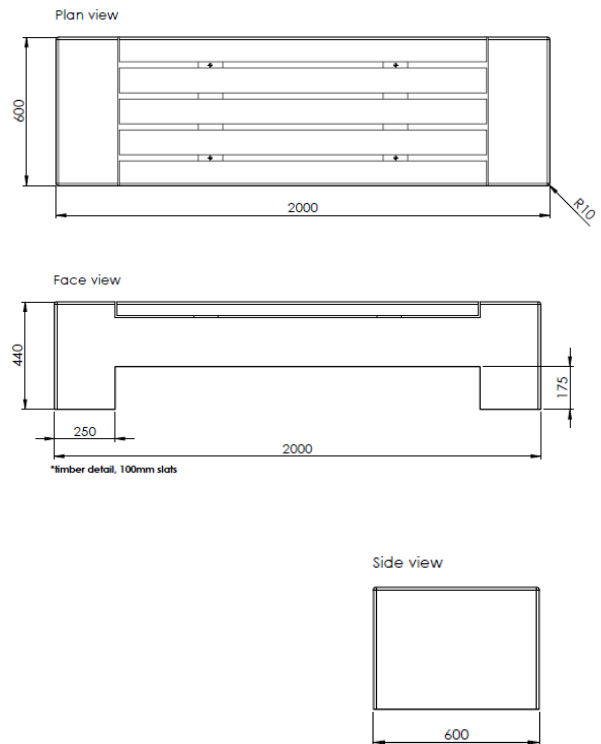
Unit should be placed on finished surface, using appropriate lifting equipment, no additional fixing required.

Packing:

Protected with a pallet banded to underside of the bench for offloading and positioning.

Standard Shipping:

Dedicated delivery or pallet service available by request



Technical Details:

- Length: 2000mm
- Depth: 600mm
- Height: 440mm
- Weight: 850Kg