



Product: Bench 1800 with Timber

Description:

Bench unit with stainless steel straps securing oiled Iroko timber top for the Staple range, designed to be used as a standalone unit. Precast concrete.

Colour: Available in standard colours

- White: WH03, WH06
- Light Grey: LG01, LG02, LG05
- Dark Grey: BL02
- Black: BL03
- Buff: YL01
- Other colours available on request

Finish:

- Concrete: Light Acid Etched
- Timber: Coated with Danish oil
- Other finishes available on request

Fixing: Surface Fixed

Unit should be placed on finished surface, using appropriate lifting equipment, no additional fixing required.

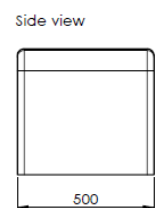
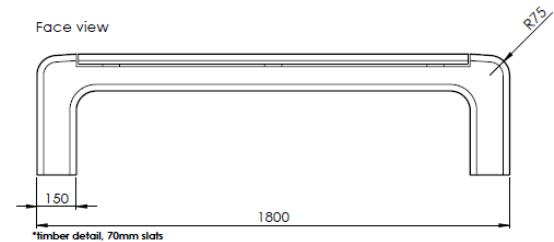
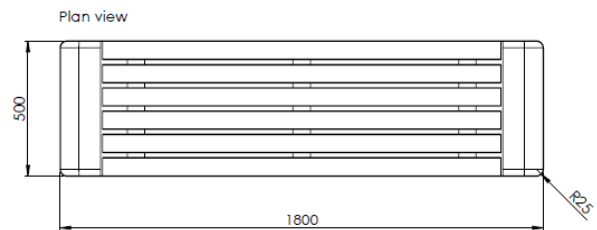
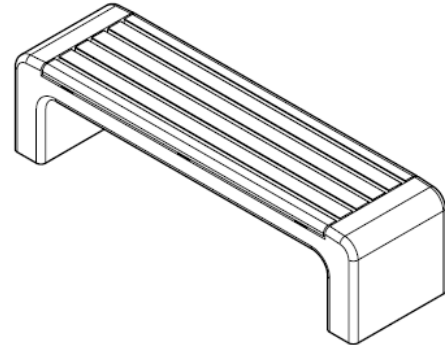
Optional fixing kit to secure the unit to foundation

Packing:

Protected with a pallet banded to underside of the bench for offloading and positioning.

Standard Shipping:

Dedicated delivery or pallet service available by request



Technical Details:

- Length: 1800mm
- Depth: 500mm
- Height: 485mm
- Weight: 385Kg