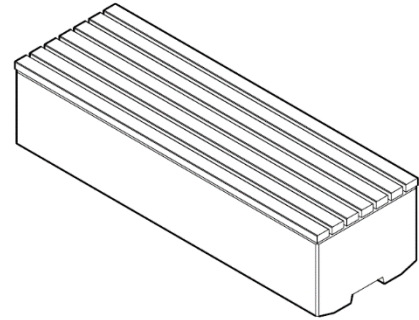


Product: Standard 1800 Timber
Description:

Modular bench unit with stainless steel straps securing oiled Iroko timber top for the Adapt range, designed to be used in an arrangement or as a standalone unit. Precast concrete.


Colour: Available in standard colours

White: WH03, WH06
 Light Grey: LG01, LG02, LG05
 Dark Grey: BL02
 Black: BL03
 Buff: YL01
 Other colours available on request

Finish:

Concrete: Light Acid Etched
 Timber: Coated with Danish oil
 Other finishes available on request

Fixing: Surface Fixed

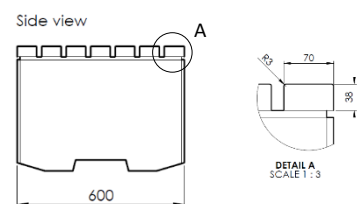
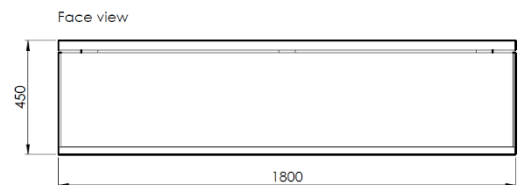
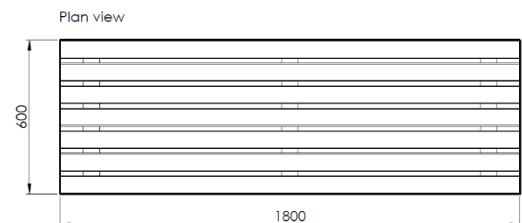
Unit should be placed on finished surface, using appropriate lifting equipment, no additional fixing required.

Packing:

Banded. 1 unit per pallet.
 Unit to be removed from the pallet before installation.

Standard Shipping:

Dedicated delivery or pallet service available by request


Technical Details:

Length: 1800mm
 Depth: 600mm
 Height: 450mm
 Weight: 1075Kg