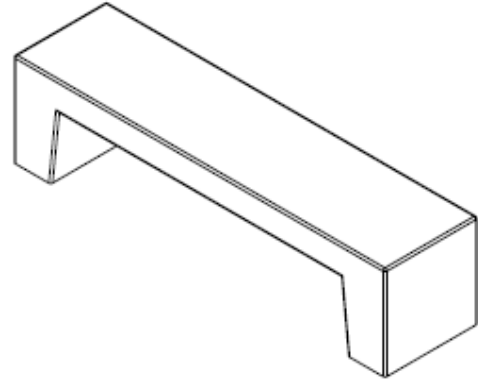




### Product: Belford Square

#### Description:

Bench unit for the Feature range, designed to be used in an arrangement or as a standalone unit. Precast concrete.



#### Colour: Available in standard colours

White: WH03, WH06  
Light Grey: LG01, LG02, LG05  
Dark Grey: BL02  
Black: BL03  
Buff: YL01  
Other colours available on request

#### Finish:

Concrete: Light Acid Etched  
Timber: N/A  
Other finishes available on request

#### Fixing: Surface Fixed

Unit should be placed on finished surface, using appropriate lifting equipment, no additional fixing required.  
Optional fixing kit to secure the unit to foundation

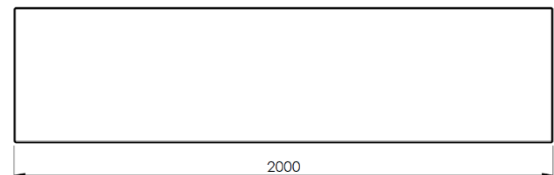
#### Packing:

Banded & protected. 1 unit per pallet.  
Unit to be removed from the pallet before installation.

#### Standard Shipping:

Dedicated delivery or pallet service available by request

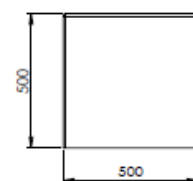
Plan view



Face view



Side view



#### Technical Details:

Length: 2000mm  
Depth: 500mm  
Height: 500mm  
Weight: 485Kg