



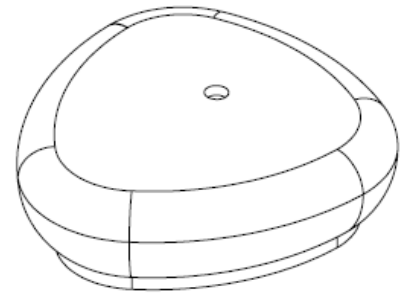
Range: Pebble

Product Specification Sheet

Product: Small

Description:

Pebble is a standalone seat. Other options are medium & large.
Precast concrete.



Colour: Available in standard colours

White: WH03, WH06
Light Grey: LG01, LG02, LG05
Dark Grey: BL02
Black: BL03
Buff: YL01
Other colours available on request

Finish:

Concrete: Light Acid Etched
Timber: N/A
Other finishes available on request

Fixing: Surface Fixed

Unit should be placed on finished surface, using appropriate lifting equipment, supplied with a lifting loop and stainless steel cap to cover the lifting socket.

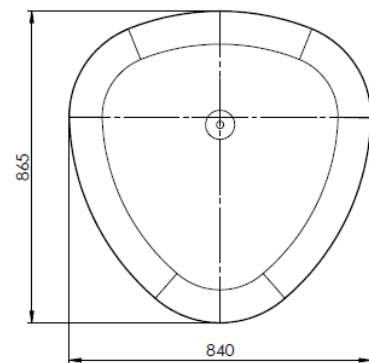
Packing:

Banded & protected on a pallet.
Unit to be removed from the pallet before installation.

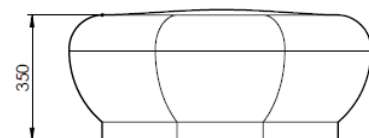
Standard Shipping:

Dedicated delivery or pallet service available by request

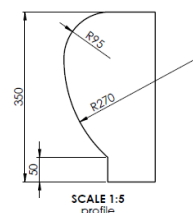
Plan view



Face view



*domed top to unit.



Technical Details:

Length: 865mm
Depth: 840mm
Height: 350mm
Weight: 405Kg