

BESPOKE CONCRETE

SPECIALISTS IN THE MANUFACTURE OF CUSTOM MADE PRE-CAST CONCRETE AND CAST STONE PRODUCTS

Bespoke Concrete Products Limited, Tynedale Works, Princess Way, Low Prudhoe, Northumberland NE42 6PL

t +44 (0) 1661 83 93 40 f +44 (0) 1661 83 39 23 e info@bespokeconcrete.co.uk w www.bespokeconcrete.co.uk

Case Study – Knowsley Sister Stones



Bespoke Concrete were thrilled to work with Phil Rawle of Wren Park on the design, Manufacture and installation of six special 'Sister Stones' for the Knowsley Borough.

The stone works, similar to the traditional crosses and milestones, took inspiration from local communities following a local history and heritage project that took place in Knowsley.

This heritage project uncovered fascinating facts about the history of Knowsley and left a permanent legacy with the six 'Sister Stones' installed in towns across the borough.

The Concrete used for the sister stones was a custom designed light grey mix approved by the client which was then polished to show the aggregates within. The stones, situated in Kirkby, Prescott, Cronton, Knowsley Village, Halewood and Huyton, each had their own individual recesses cast into the concrete forming the grid references of their exact location. Steel inserts were fixed to them by Bespoke Concrete that had been etched with words that describe each place, making reference to ancient history, important buildings, events and industries. The words were put together as the result of community workshops at which local people explored archive maps and photographs while reminiscing about local history.

Bespoke Concrete also arranged and attended the installation of the stones along with Phil Rawle to ensure they were placed exactly as the client required:

The Sister Stones will now be used for generations to come as an educational tool and a talking point for those interested in the heritage of their local area, or by visitors.



Bespoke Concrete Products Limited, VAT Number GB 605 5042 75, Registered in England number 2773783.
Registered address: Tynedale Works, Princess Way, Low Prudhoe, Northumberland NE42 6PL

Nitecrete Manufactured and developed by Bespoke Concrete Products Ltd. International Patent pending.

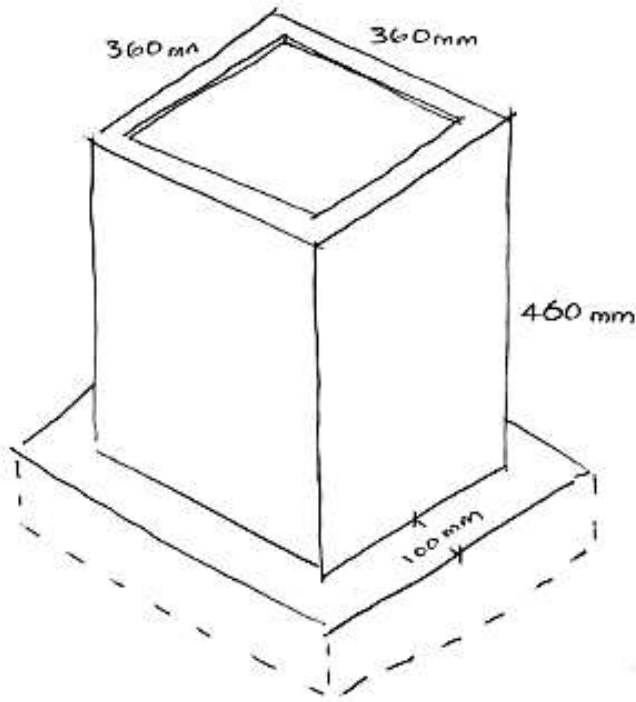


BESPOKE CONCRETE

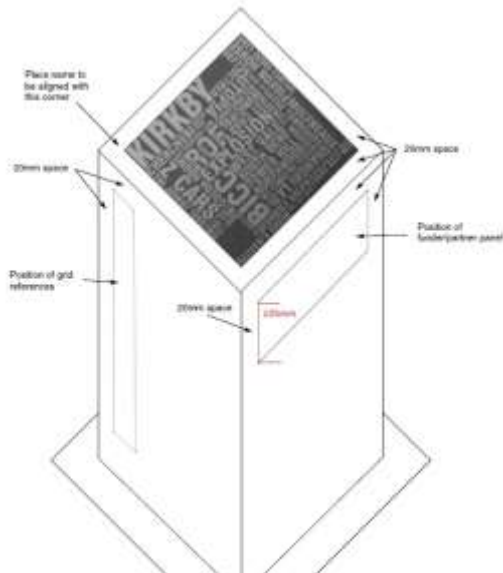
SPECIALISTS IN THE MANUFACTURE OF CUSTOM MADE PRE-CAST CONCRETE AND CAST STONE PRODUCTS

Bespoke Concrete Products Limited, Tynedale Works, Princess Way, Low Prudhoe, Northumberland NE42 6PL
 t +44 (0) 1661 83 93 40 f +44 (0) 1661 83 39 23 e info@bespokeconcrete.co.uk w www.bespokeconcrete.co.uk

Initial concept



Finished product



Bespoke Concrete Products Limited, VAT Number GB 605 5042 75, Registered in England number 2773783, Registered address: Tynedale Works, Princess Way, Low Prudhoe, Northumberland NE42 6PL

Nitecrete Manufactured and developed by Bespoke Concrete Products Ltd. International Patent pending.

